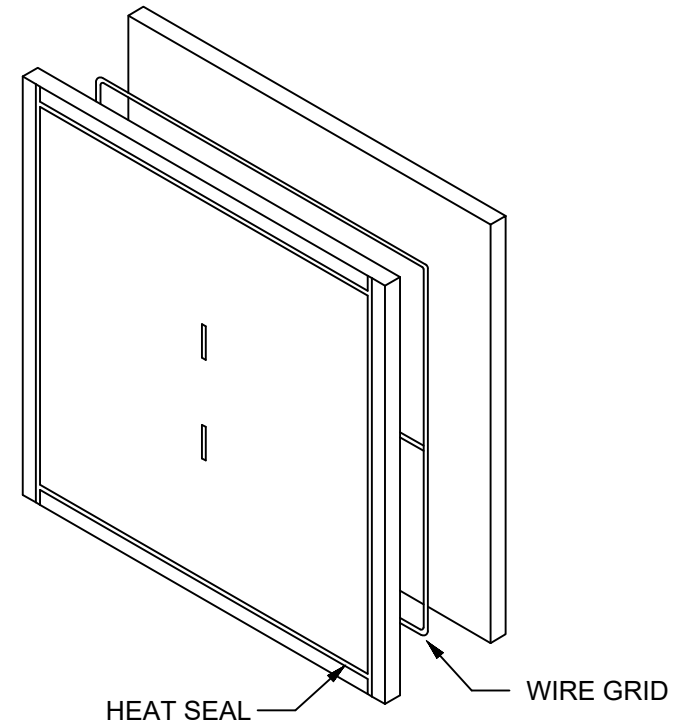


Panel Type	Size (inch) Nominal L x H	Wire Size (inch) Actual L x H	Koch Part Number	Initial Resistance (Inch W.G.)		Style	MERV Performance
				300 FPM	500 FPM		
MG200	10 x 20	9-1/2 x 19-1/2	132-1020-01	0.24	0.49	3 Ply Panel	7
MG200	12 x 24	11-1/2 x 23-1/2	132-1224-01	0.24	0.49	3 Ply Panel	7
MG200	16 x 20	15-1/2 x 19-1/2	132-1620-01	0.24	0.49	3 Ply Panel	7
MG200	16 x 25	15-1/2 x 24-1/2	132-1625-01	0.24	0.49	3 Ply Panel	7
MG200	20 x 20	19-1/2 x 19-1/2	132-2020-01	0.24	0.49	3 Ply Panel	7
MG200	20 x 24	19-1/2 x 23-1/2	132-2024-01	0.24	0.49	3 Ply Panel	7
MG200	20 x 25	19-1/2 x 24-1/2	132-2025-01	0.24	0.49	3 Ply Panel	7
MG200	24 x 24	23-1/2 x 23-1/2	132-2424-01	0.24	0.49	3 Ply Panel	7
MG300	10 x 20	9-1/2 x 19-1/2	133-1020-01	0.19	0.38	3 Ply Panel	8
MG300	12 x 24	11-1/2 x 23-1/2	133-1224-01	0.19	0.38	3 Ply Panel	8
MG300	16 x 20	15-1/2 x 19-1/2	133-1620-01	0.19	0.38	3 Ply Panel	8
MG300	16 x 25	15-1/2 x 24-1/2	133-1625-01	0.19	0.38	3 Ply Panel	8
MG300	20 x 20	19-1/2 x 19-1/2	133-2020-01	0.19	0.38	3 Ply Panel	8
MG300	20 x 24	19-1/2 x 23-1/2	133-2024-01	0.19	0.38	3 Ply Panel	8
MG300	20 x 25	19-1/2 x 24-1/2	133-2025-01	0.19	0.38	3 Ply Panel	8
MG300	24 x 24	23-1/2 x 23-1/2	133-2424-01	0.19	0.38	3 Ply Panel	8
MG400	10 x 20	9-1/2 x 19-1/2	134-1020-01	0.34	0.67	4 Ply Panel	11
MG400	12 x 24	11-1/2 x 23-1/2	134-1224-01	0.34	0.67	4 Ply Panel	11
MG400	16 x 20	15-1/2 x 19-1/2	134-1620-01	0.34	0.67	4 Ply Panel	11
MG400	16 x 25	15-1/2 x 24-1/2	134-1625-01	0.34	0.67	4 Ply Panel	11
MG400	20 x 20	19-1/2 x 19-1/2	134-2020-01	0.34	0.67	4 Ply Panel	11
MG400	20 x 24	19-1/2 x 23-1/2	134-2024-01	0.34	0.67	4 Ply Panel	11
MG400	20 x 25	19-1/2 x 24-1/2	134-2025-01	0.34	0.67	4 Ply Panel	11
MG400	24 x 24	23-1/2 x 23-1/2	134-2424-01	0.34	0.67	4 Ply Panel	11
MG550	10 x 20	9-1/2 x 19-1/2	135-1020-01	0.25	0.41	3 Ply Panel	8
MG550	12 x 24	11-1/2 x 23-1/2	135-1224-01	0.25	0.41	3 Ply Panel	8
MG550	16 x 20	15-1/2 x 19-1/2	135-1620-01	0.25	0.41	3 Ply Panel	8
MG550	16 x 25	15-1/2 x 24-1/2	135-1625-01	0.25	0.41	3 Ply Panel	8
MG550	20 x 20	19-1/2 x 19-1/2	135-2020-01	0.25	0.41	3 Ply Panel	8
MG550	20 x 24	19-1/2 x 23-1/2	135-2024-01	0.25	0.41	3 Ply Panel	8
MG550	20 x 25	19-1/2 x 24-1/2	135-2025-01	0.25	0.41	3 Ply Panel	8
MG550	24 x 24	23-1/2 x 23-1/2	135-2424-01	0.25	0.41	3 Ply Panel	8



Standard Construction:

1. Polyester Media
2. 10 gage wire internal frame
3. Heat Seal Construction
4. Maximum Operating Temperature: 180 F ( 82 C )
5. Final Resistance: 1.0" W.G.
6. Wire Orientation: Cross Wire runs in Width Direction
7. Linked Panels Available
8. Classified per UL Standard 900
9. MG300, MG400, and MG550 Panels are Treated with Anti-Microbial

	<b>Maxi Grid</b> <b>Series 200, 300, 400, &amp; 550</b> <b>(Internally Supported Panel)</b>		REV	REVISION	BY / DATE
			LTR		
	Drawn By: Brent Chamberlain Date: August 4, 2009		C	REDRAWN & REVISED	D. Miller 09FEB2021
			D	UPDATED HEIGHT AND LENGTH DESIGNATIONS	D. Miller 22MAR2023
8401 Air Commerce Drive - Louisville KY 40219 Phone: (502) 634-4796 FAX: (502) 637-2280		Revision			
		D			